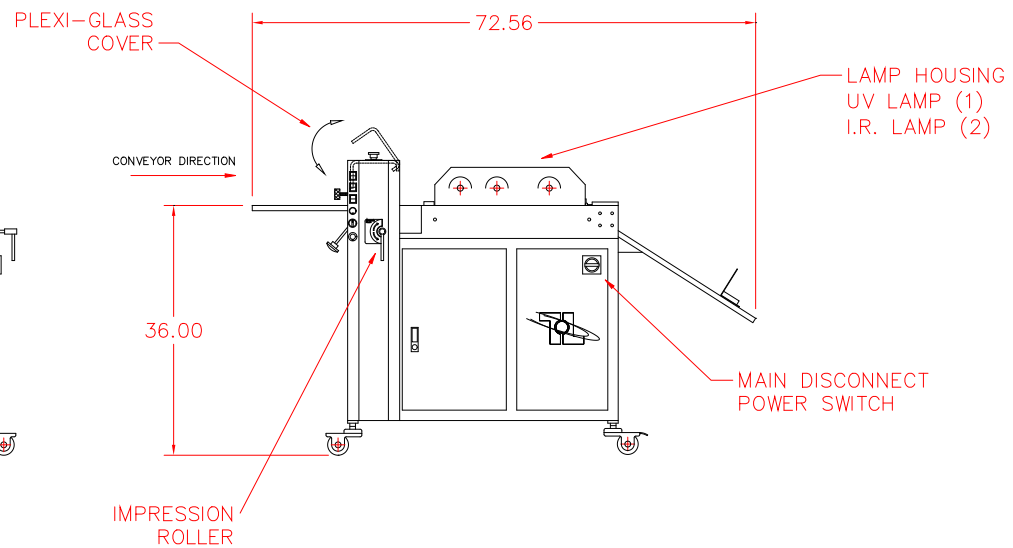
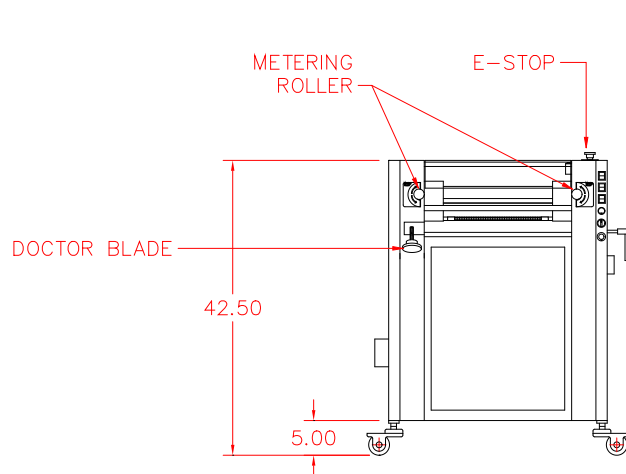
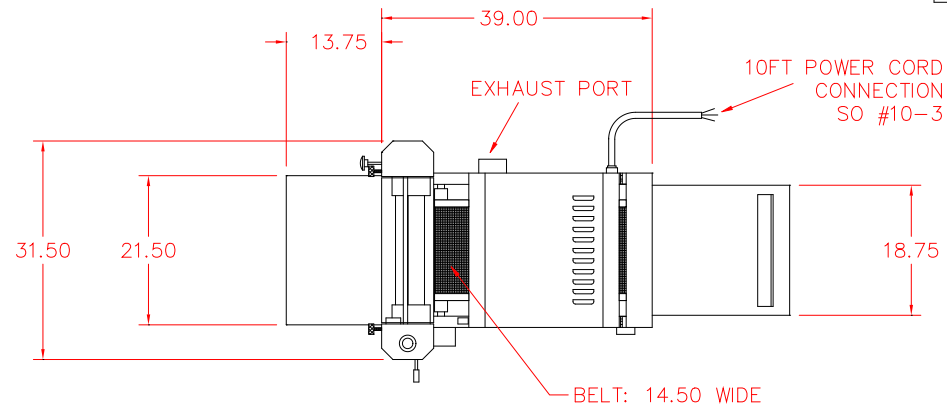
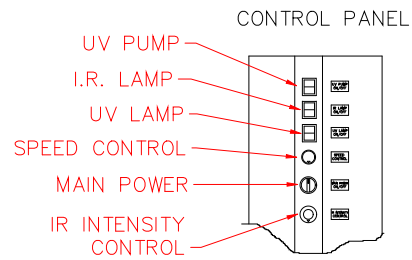


REV	DESCRIPTION	DATE



2. MAX. SHEET SIZE: 14.50"

1. VOLTAGE POWER INPUT: 208-220VAC 1PH 60HZ 25AMPS.
SAFETY DISCONNECT SWITCH : 30AMPS

REMOVE ALL BURRS AND SHARP EDGES.

NOTES - UNLESS OTHERWISE SPECIFIED.

OUTLINE DRAWING

TEC LIGHTING, INC		905 MARINER ST., BREAA, CA 92821 PH: 714-529-5068 FAX: 714-529-0344	
UNLESS OTHERWISE SPECIFIED TOLERANCE ARE:	SYSTEM MODEL NO.:	DESCRIPTION:	
INCH DECIMAL .XXX ±.010 .XX ±.030	APPROVALS	MICRO UV COATER IR SYSTEM, ASSEMBLY	
ANGLE ±1/2°	DATE:	DRAWN	DATE:
FRACTIONAL ±1/32	ENGR. A.BELTRAN 03/10/10	A.BELTRAN	03/10/10
DO NOT SCALE DRAWING	APPR:	SCALE: 1/8"=1"	FILE NO.
		DRAWING NO: XC14-1D	REV: N/C
			SHEET NO. 1 of 1

CONFIDENTIAL THE TECHNICAL AND DESIGN DATA DISCLOSED HEREIN CONSTITUTE PROPRIETARY INFORMATION OF TEC LIGHTING, INC. AND ARE TO BE MAINTAINED IN STRICT CONFIDENCE BY THE RECIPIENT HEREOF SO LONG AS AND TO THE EXTENT THAT SUCH INFORMATION AND DATA REMAIN UNPUBLISHED.