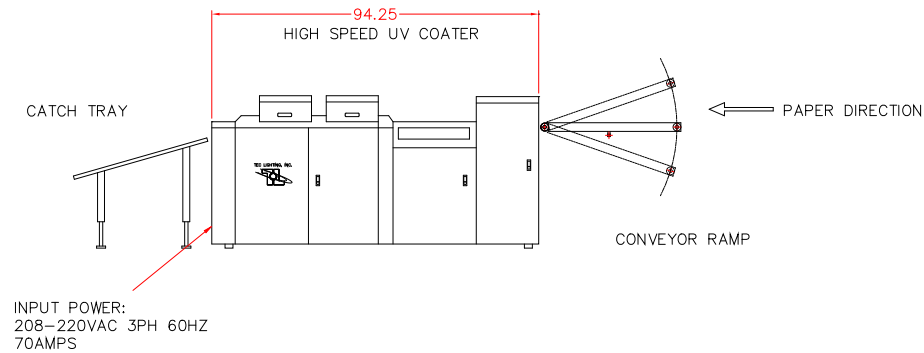
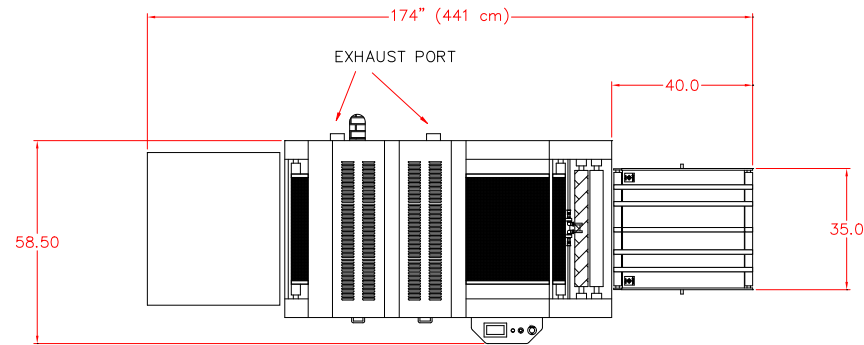


REV	DESCRIPTION	DATE



OUTLINE DRAWING

<b>TEC LIGHTING, INC</b> <small>UNLESS OTHERWISE SPECIFIED TOLERANCE ARE: INCH DECIMAL .XXX ±.010 .XX ±.030 ANGLE ±1/2" FRACTIONAL ±1/32 DO NOT SCALE DRAWING</small>		<small>SYSTEM MODEL NO.:</small> <b>TURVILHS-30A</b>		<small>DESCRIPTION:</small> <b>TURUV HIGH SPEED COATER INLINE CONVEYOR</b>	
		<small>APPROVALS</small> <small>DATE:</small>		<small>DATE:</small>	
<small>DRAWN</small> <b>A.BELTRAN</b>	<small>12/05/13</small>	<small>SIZE</small> <b>D</b>	<small>DRAWING NO.:</small> <b>TURVILHS-30A</b>	<small>REV.</small> <b>N/C</b>	
<small>ENGR.</small> <b>SALVADOR</b>	<small>12/05/13</small>	<small>SCALE:</small> <b>1/16"=1'</b>	<small>FILE NO.</small>	<small>SHEET NO.</small>	
<small>APPR.</small> <b>DANNY M.</b>	<small>12/05/13</small>				

555 VANGUARD WAY ,BREA, CA 92821  
PH: 714-529-5068 FAX: 714-529-0344