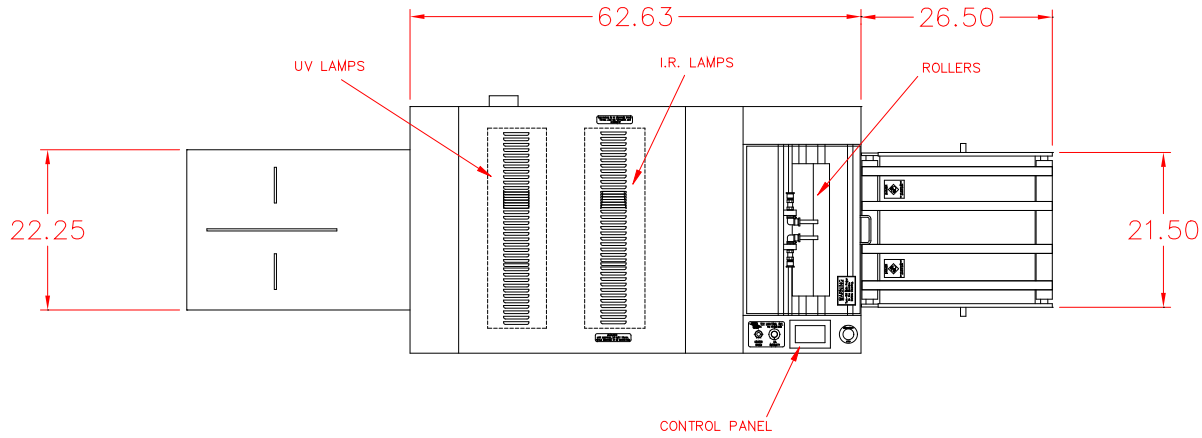
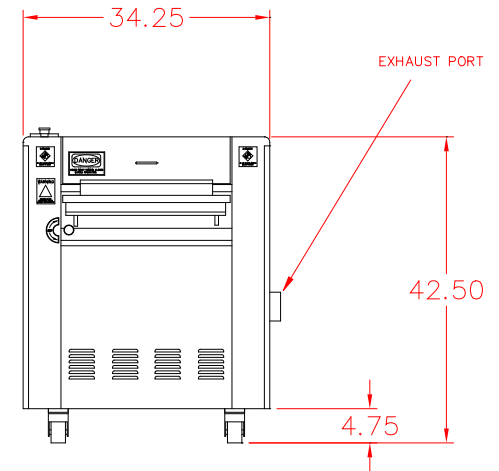
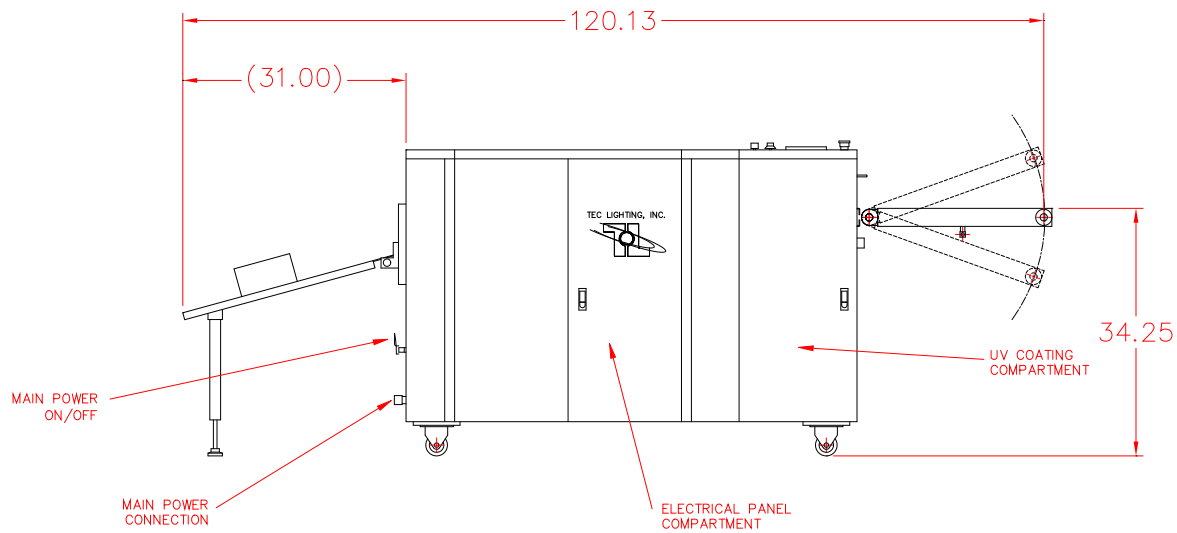


REV	DESCRIPTION	DATE



- 1) POWER REQUIREMENT:
208-220VAC 60HZ 1PH 35A.
SERVICE DISCONNECTION: 40A.
- 2) PAPER SIZE: MAX. 16"



OUTLINE DRAWING

TEC LIGHTING, INC		905 MARINER ST., BREA, CA 92821 PH: 714-529-5068 FAX: 714-529-0344	
UNLESS OTHERWISE SPECIFIED TOLERANCE ARE: INCH DECIMAL .XXX ±.010 .XX ±.030 ANGLE ±1/2° FRACTIONAL ±1/32 DO NOT SCALE DRAWING		SYSTEM MODEL NO.: TRUVIL-16D	DESCRIPTION: TRU UV COATER 16" 208-220VAC, 60HZ 1PH
APPROVALS	DATE:	DRAWN A.BELTRAN 01/10/11	SIZE: D DRAWING NO. TRUVIL-16D REV. N/C
ENGR. A.BELTRAN 01/10/11		APPR	SCALE: 1/8"=1" FILE NO. SHEET NO. 1 of 1

CONFIDENTIAL. THE TECHNICAL AND DESIGN DATA DISCLOSED HEREIN CONSTITUTE PROPRIETARY INFORMATION OF TEC LIGHTING, INC. AND ARE TO BE MAINTAINED IN STRICT CONFIDENCE BY THE RECIPIENT HEREOF SO LONG AS AND TO THE EXTENT THAT SUCH INFORMATION AND DATA REMAIN UNPUBLISHED.