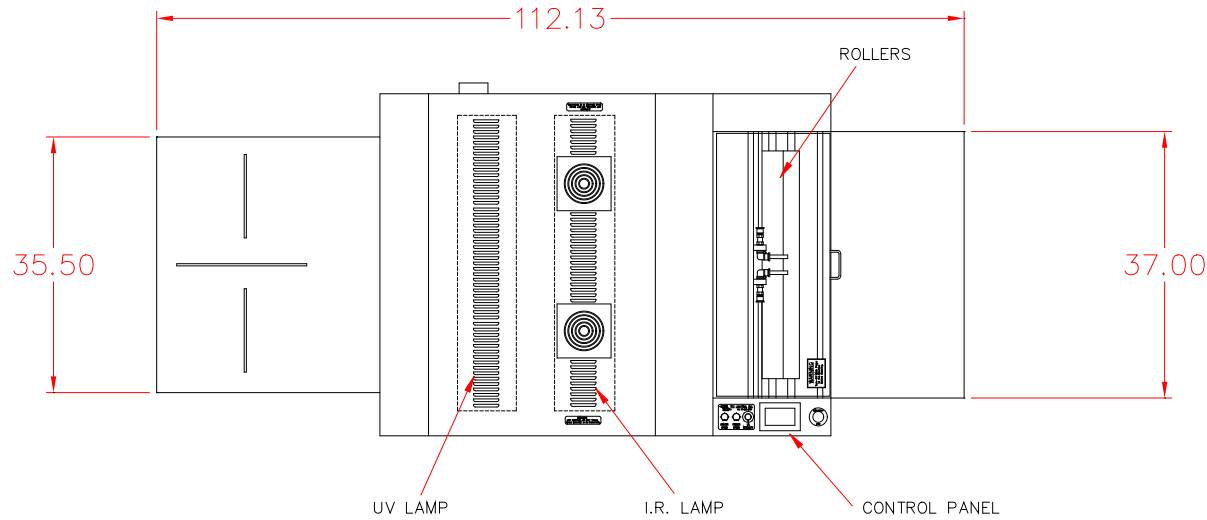
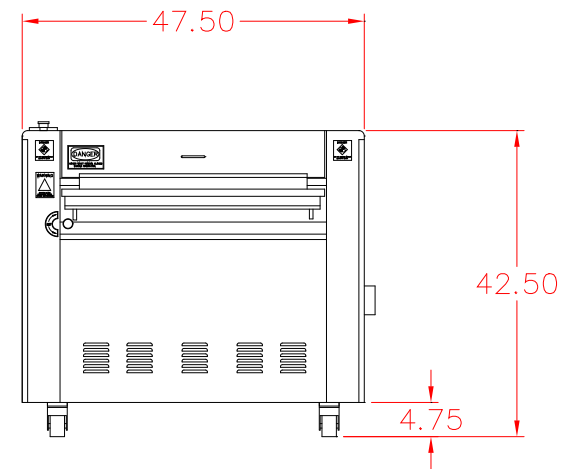
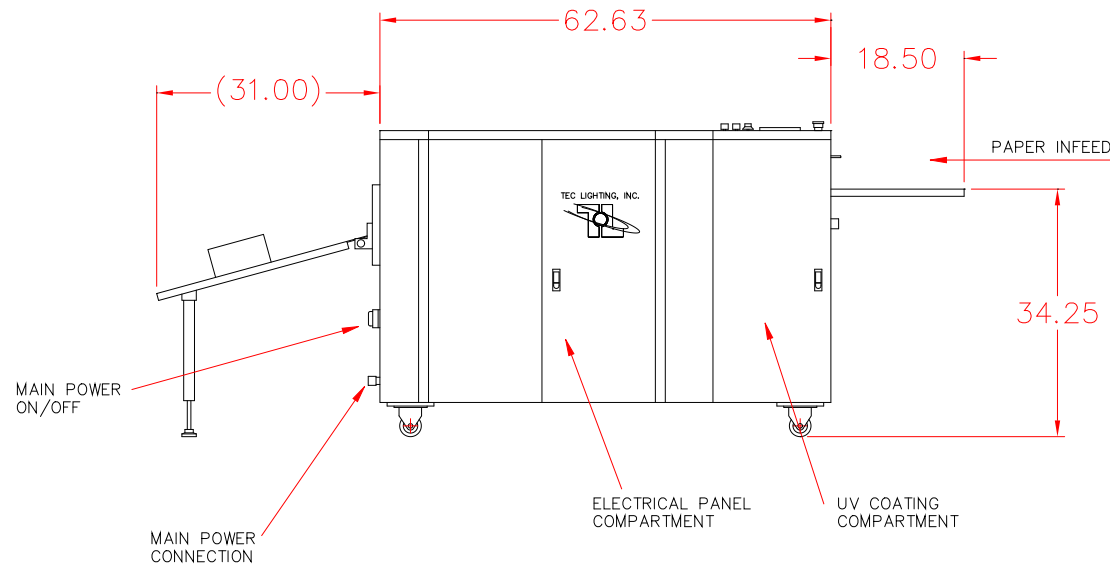


REV	DESCRIPTION	DATE
A	UPDATED	01/12



- 1) POWER REQUIREMENT:
208-220VAC 60HZ 3PH 55A.
SERVICE DISCONNECTION: 60A.
- 2) PAPER SIZE: MAX. 30"



OUTLINE DRAWING

TEC LIGHTING, INC		905 MARINER ST., BREAA, CA 92821 PH: 714-529-5068 FAX: 714-529-0344	
UNLESS OTHERWISE SPECIFIED TOLERANCE ARE: INCH DECIMAL .XXX ±.010 .XX ±.030 ANGLE ±1/2° FRACTIONAL ±1/32 DO NOT SCALE DRAWING		SYSTEM MODEL NO.: TRUV-30A	DESCRIPTION: TRU UV COATER 30" 208-220VAC 3PH 60HZ
APPROVALS	DATE:	DRAWN A.BELTRAN 01/10/10	SIZE D
ENGR. A.BELTRAN 01/10/10		DRAWING NO. TRUV-30A	REV: A
APPR		SCALE: 1/8"=1"	FILE NO. SHEET NO. 1 of 1

CONFIDENTIAL. THE TECHNICAL AND DESIGN DATA DISCLOSED HEREIN CONSTITUTE PROPRIETARY INFORMATION OF TEC LIGHTING, INC. AND ARE TO BE MAINTAINED IN STRICT CONFIDENCE BY THE RECIPIENT HEREOF SO LONG AS AND TO THE EXTENT THAT SUCH INFORMATION AND DATA REMAIN UNPUBLISHED.